



## Ricon UNI-lite™ PLATFORM LIFTS

The UNI-lite™ is the lightest personal lift on the market. Its all aluminum construction is durable, rust-free, and time-tested. Its electromechanical system is quiet, smooth, and easy to maintain. Its compact design will fit on many vans. The UNI-lite™ is a lift engineered to add freedom to your life, not extra weight.

### ADVANTAGES:

- Lightweight aluminium
- Extra smooth, quiet powerful electric motor
- Powered rollstop with mechanical latch
- Smooth, strong operation
- Adjustable to fit most doors
- Compact with large platform

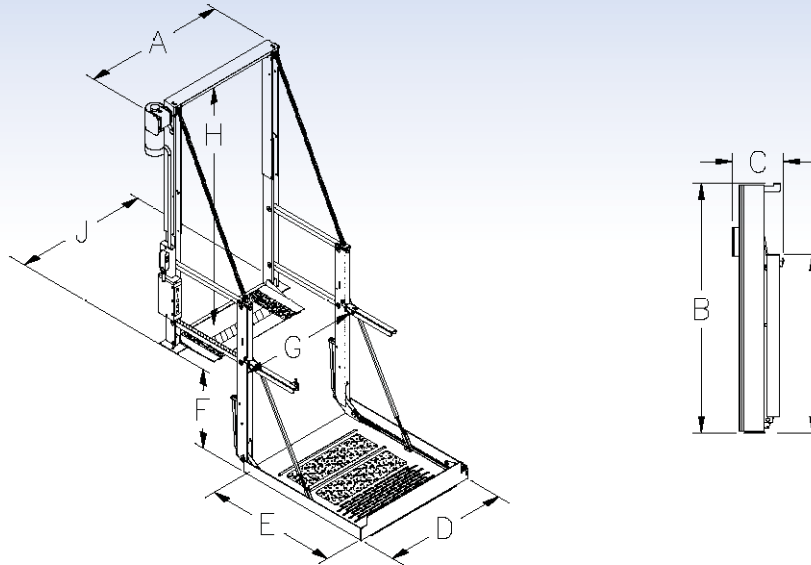
*Imagine the possibilities*



## UNI-lite WHEELCHAIR LIFT

Power ..... electro-mechanical  
 Motor rating ..... 12 Volt DC, 63 amp avg./cycle  
 Lift weight ..... 160 lbs.

Rated load capacity ..... 600 lbs.  
 Manual backup ..... speed-wrench operated



### DIMENSIONS (inches)

MODEL	A	B	C	D	E	F <sub>1</sub>	F <sub>2</sub>	G	H	I	J
	Width, Stationary Frame	Height, Lift	Installation Depth (Folded)	Usable Platform Width	Usable Platform Length	Floor-to-Ground Travel (Stepwell)	Floor-to-Ground Travel (Flat Floor)	Width, Traveling Frame	Clear Entry Height	Floor to End of Platform, folded	Width, Base Plate
U6-2636	37	47-57	11.5	26	36	NA	24	31	44-54	41	33.5
U6-2639	37	47-57	11.5	26	39	30	28	31	44-54	44	33.5
U6-2644	37	47-57	11.5	26	44	30	28	31	44-54	49	33.5
U6-2940	40	50-57	11.5	29	40	30	28	34	47-54	45	36.5
U6-2944	40	50-57	11.5	29	44	30	28	34	47-54	50	36.5
U6-3240	43	50-57	11.5	32	40	30	28	37	47-54	45	39.5
U6-3244	43	50-57	11.5	32	44	30	28	37	47-54	50	39.5
U6-2940T	40	59-65	11.5	29	40	30	28	34	56-62	45	36.5
U6-2944T	40	59-65	11.5	29	44	30	28	34	56-62	50	36.5
U6-3240T	43	59-65	11.5	32	40	30	28	37	56-62	45	39.5
U6-3244T	43	59-65	11.5	32	44	30	28	37	56-62	50	39.5

*Imagine the possibilities*

